

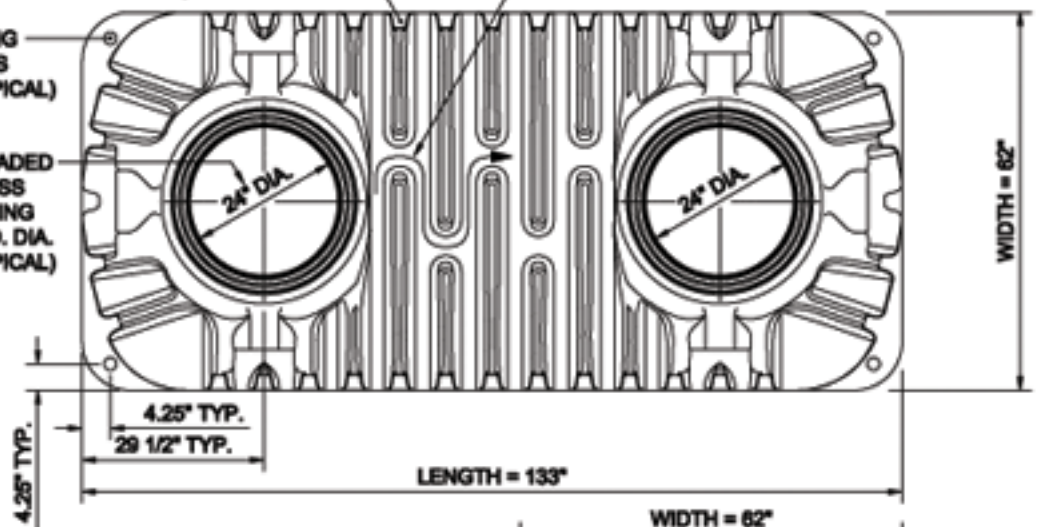
HORIZONTAL STRUCTURAL REINFORCING RIBS
(FULL CIRCUMFERENCE)

GAS (TOP) / LIQUID (BOTTOM)
PASS-THRU SLOT INSIDE TANK

TOP

LIFTING HOLES
(4 TYPICAL)

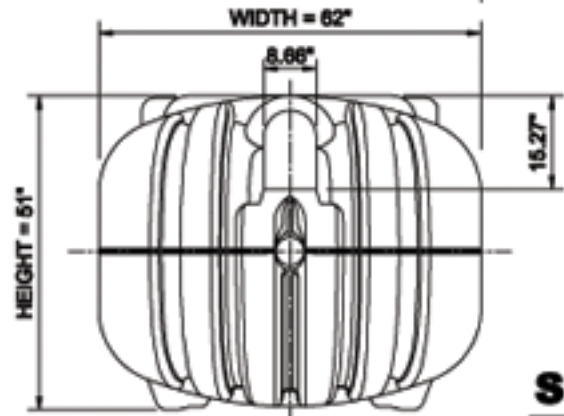
THREADED ACCESS
OPENING
24" LD. DIA.
(2 TYPICAL)



LENGTH = 133"

WIDTH = 62"

WIDTH = 62"



HEIGHT = 51"

SIDE

BLACK WATER HOLDING TANK SPECS

DESIGN CAPACITY		TOTAL CAPACITY		WEIGHT
GALLONS	LITERS	GALLONS	LITERS	POUNDS
1060	4012	1337	5060	520

DWG SCALE: 1:1
 PLOT SCALE: 1:3
 SHEET #:
 1 OF 2

Dynamic Plastic Solutions Inc.
 Toll Free: (866) 559-2357